

Accessories and spare parts

ACCESSORI E RICAMBI



Revolving Stands / Supporti Girevoli

ASG15R	mod. A - V - VG - OVP	Quick coupling, powder coated - Aggancio rapido, verniciato	2,5 kg
ALSG20R	mod. AL - VL - VGL - OSV	Quick coupling, powder coated - Aggancio rapido, verniciato	2,9 kg
VGMSG20R	mod. VGM	Quick coupling, powder coated - Aggancio rapido, verniciato	4,5 kg
OSVMSG30R	mod. OSVM	Quick coupling, powder coated - Aggancio rapido, verniciato	3,7 kg
AXSG15R	mod. AX - VX - VGX	Quick coupling, stainless steel - Aggancio rapido, inox AISI 304	2,5 kg
ALXSG20R	mod. ALX - VLX - VGLX	Quick coupling, stainless steel - Aggancio rapido, inox AISI 304	2,9 kg
ALTXSG20R	mod. VGLTX	Quick coupling, stainless steel - Aggancio rapido, inox AISI 316	2,9 kg
VGMXSG20R	mod. VGMX	Quick coupling, stainless steel - Aggancio rapido, inox AISI 304	4,5 kg
VGMTXSG20R	mod. VGMX	Quick coupling, stainless steel - Aggancio rapido, inox AISI 316	4,5 kg



MCSG10	mod. MC	Powder coated - Verniciato	1,1 kg
MCXSG10	mod. MCX	Stainless steel - Acciaio inox AISI 304	1,5 kg



BSG30	mod. BG	Quick coupling, powder coated - Aggancio rapido, verniciato	6,5 kg
BGDSG40	mod. BGD	Quick coupling, powder coated - Aggancio rapido, verniciato	10 kg
BGXS30	mod. BGX	Quick coupling, stainless steel - Aggancio rapido, inox AISI 304	6,5 kg
BGDXSG40	mod. BGD	Quick coupling, stainless steel - Aggancio rapido, inox AISI 304	10 kg



Fixing brackets / Controstaffe di fissaggio

MCGS10	mod. MC	Fixing bracket - Controstaffa di fissaggio	1,8 kg
ACS15	mod. A - V - VG - OVP	Fixing bracket - Controstaffa di fissaggio	1,3 kg
ALCS20	mod. AL - VL - VGL - OSV	Fixing bracket - Controstaffa di fissaggio	1,6 kg
BGLCS50	mod. BGL - BGLD	Fixing bracket - Controstaffa di fissaggio	4,5 kg
BGLXCS50	mod. BGLX - BGLDX	Bracket fixing, stainless steel - Controstaffa di fissaggio, inox AISI 304	4,5 kg



Fixing panels / Pannelli di fissaggio

PFA02	mod. MC - A - AL - V - VL - VGL	Fixing panel 2 hose reels - Pannello fissaggio 2 avvolgitubo	5,5 kg
PFA03	mod. MC - A - AL - V - VL - VGL	Fixing panel 3 hose reels - Pannello fissaggio 3 avvolgitubo	8 kg
PFA04	mod. MC - A - AL - V - VL - VGL	Fixing panel 4 hose reels - Pannello fissaggio 4 avvolgitubo	10,5 kg



Anti-derailment brackets / Staffe antiscarruolamento

VGSA20	mod. V - VG - OVP	Anti-derailment bracket - Staffa antiscarruolamento	0,6 kg
VGLSA25	mod. VL - VGL - OSV	Anti-derailment bracket - Staffa antiscarruolamento	0,6 kg



Covers / Carters

VCAR	mod. V-VL-VX-VLX-VGX-VGLX-VGMX	Lateral protective covers for hose reels with hose 1/4"-3/8"-1/2" - Carter laterali di protezione per avvolgitubo con tubo 1/4"-3/8"-1/2"	1 kg
VGCAR	mod. VGX-VGLX-VGMX	Lateral protective covers for hose reels with hose 3/4"-1" - Carter laterali di protezione per avvolgitubo con tubo 3/4"-1"	1 kg

Swivel joints/Giunti girevoli

for all models - per tutti i modelli



Zinc-plated steel - Acciaio zincato:

0065A	60 bar	F.3/8" Bsp	PU	Air, water, oil - Aria, acqua, olio	0,21 kg
0065D	60 bar	M.1/2" Bsp	PU	Air, water, oil - Aria, acqua, olio	0,23 kg
0238PU	150 bar	M.1/2" Bsp	PU	Oil-Olio	0,27 kg
0066A	400 bar	F.1/4" Bsp	NBR-PTFE	Grease - Grasso	0,27 kg
0066A1	400 bar	F.3/8" Bsp	NBR-PTFE	Grease - Grasso	0,27 kg
0066B	400 bar	F.3/8" Bsp	SIL-PTFE	Water 150°C - Acqua 150°C	0,27 kg
0066C	400bar	F.3/8" Bsp	VITON-PTFE	Paint - Vernice	0,27 kg



Stainless steel AISI 303 - Acciaio inox AISI 303:

0065VAX	60 bar	M.1/2" Bsp	VITON	Water 100°C - Acqua 100°C	0,23 kg
0065EX	60 bar	M.1/2" Bsp	EPDM	Antifreeze, windshield liquid Antigelo, liquido lavavetri	0,23 kg
0066BX	400 bar	F.3/8" Bsp	SIL-PTFE	Water 150°C - Acqua 150°C	0,27 kg
0066CX	400 bar	F.3/8" Bsp	VITON-PTFE	Water 150°C - Acqua 150°C	0,27 kg
0238VAX	60 bar	M.1/2" Bsp	VITON	Water 100°C - Acqua 100°C	0,27 kg
0238X	400 bar	M.1/2" Bsp	SIL-PTFE	Water 150°C - Acqua 150°C	0,27 kg
0238XV	400 bar	M.1/2" Bsp	VITON-PTFE	Water 150°C - Acqua 150°C	0,27 kg
0238TX (AISI 316)	400 bar	M.1/2" Bsp	VITON-PTFE	Water 150°C - Acqua 150°C	0,27 kg

for mod: VG - VGL - BGL - BGLD - VGX - VGLX - BGL - BGLX



Brass - Ottone:

0636G	20 bar	F.1" Bsp	NBR	Diesel fuel - Gasolio	0,43 kg
0636GC	20 bar	F.1" Bsp	NBR	Air, Water 100°C - Aria, Acqua 100°C	0,43 kg

0636G 0636GC 0586

Zinc-plated steel - Acciaio zincato:

0586	60 bar	M.1" Bsp	PU	Oil, Water - Olio, Acqua	0,52 kg
-------------	--------	----------	----	--------------------------	---------

Composite - Composito:

0523A	20 bar	Ø 19	NBR	Urea, Water 50°C - Urea, Acqua 50°C	0,15 kg
0524A	20 bar	Ø 25	NBR	Water 50°C - Acqua 50°C	0,15 kg



0523A 0524A 0636GX 0586X 0586TX

Stainless steel AISI 303 - Acciaio inox AISI 303

0636GX	20 bar	F.1" Bsp	VITON	Water 100°C - Acqua 100°C	0,43 kg
0586X	60bar	M.1" Bsp	VITON-PTFE	Water 150°C - Acqua 150°C	0,52 kg
0586TX (AISI 316)	60bar	M.1" Bsp	VITON-PTFE	Water 150°C - Acqua 150°C	0,52 kg

for BG BGX models - per modelli BG BGX

Stainless steel AISI 303 - Acciaio inox AISI 303

BG0238CPL	400 bar	M.F.1/2" Bsp	SIL-PTFE	Water 150°C - Acqua 150°C	0,68 kg
BG0293P	60 bar	M.1"- F.3/4" Bsp	PU	Air, water, oil - Aria, acqua, olio	1,35 kg
BG0293SX	60 bar	M.1"- F.3/4" Bsp	SIL-PTFE	Water 150°C - Acqua 150°C	1,35 kg
BG0293VAX	40 bar	M.1"-F.3/4" Bsp	VITON	Water 150°C - Acqua 150°C	1,35 kg



BG0238CPL BG0293P BG0293SX BG0293VAX

Swivel joints adapters/Adattatori per giunti girevoli

Zinc-plated steel - Acciaio zincato:

0187M38	400 bar	M.3/8" Bsp	Air, Water, Oil, Grease - Aria, Acqua, Olio, Grasso	0,11 kg
0187F38	400 bar	F.3/8" Bsp	Air, Water, Oil, Grease - Aria, Acqua, Olio, Grasso	0,12 kg
0187F12	400 bar	F.1/2" Bsp	Air, Water, Oil, Grease - Aria, Acqua, Olio, Grasso	0,13 kg



0187M38 0187F38 0187F12 0187F12X

Stainless steel AISI 303 - Acciaio inox AISI 303:

0187F12X	400 bar	F.1/2" Bsp	Water 150°C - Acqua 150°C	0,13 kg
-----------------	---------	------------	---------------------------	---------

Showers, Spray Guns, Nozzles / Doccette, Pistole



DC38S For water / Per acqua Shower with support - Doccetta con supporto
60°C max. - 10 l/min - 5 bar - F.3/8" bsp 0,3 kg



DC38PRS For water / Per acqua Chrome-plated brass shower with support
Doccetta in ottone cromato con supporto
70°C max. - 11 l/min - 7 bar - F.3/8" bsp 0,7 kg



P12ARNF For water / Per acqua Plastic spray gun with quick coupling. Pencil or cone jet adjusting
Pistola in plastica con innesto rapido. Getto a spillo o a cono regolabile
60°C max. - 10 l/min - 4 bar - F.1/2" bsp 0,4 kg



P12A70 For water / Per acqua Brass spray gun with rubber protection. Pencil or cone jet
Pistola in ottone con protezione in gomma. Getto a spillo o a cono
90°C max. - 20 l/min - 25 bar - F.1/2" bsp 0,6 kg



P12A80 For water / Per acqua Shockproof plastic spray gun with pencil or cone jet
Pistola in plastica antiurto con getto a spillo o a cono
80°C max. - 50 l/min - 12 bar - F.1/2" bsp 0,5 kg



P12A95 For water / Per acqua Chrome-plated brass spray gun with pencil or cone jet adjusting
Pistola in ottone cromato con getto a spillo o a cono regolabile
90°C max. - 100 l/min - 24 bar - F.1/2" bsp 1,1 kg



P38AV For water, antifreeze, windshield liquid / Per acqua, antigelo, lavavetri
Nickel-plated brass gun
Pistola in ottone nichelato
30 l/min (4 bar) - 30 bar - F.3/8 "bsp - ø 12 mm 0,3 kg



PGM80S	For Diesel Fuel Per gasolio	Manual nozzle with 1" swivel Pistola manuale con snodo 1" 80 l/min - 6 bar - F.1" bsp - ø 25 mm	0,6 kg
---------------	--------------------------------	---	--------



PGA60S	For Diesel Fuel Per gasolio	Automatic nozzle with 1" swivel Pistola automatica con snodo 1" 60 l/min - 8 bar - F.1" bsp - ø 24 mm	1,3 kg
---------------	--------------------------------	---	--------



PGA120S	For Diesel Fuel Per gasolio	Automatic nozzle with 1" swivel Pistola automatica con snodo 1" 120 l/min - 8 bar - F.1" bsp - ø 29 mm	1,3 kg
----------------	--------------------------------	--	--------



PPM90ADB	For Urea Per Urea	Manual plastic nozzle with ø 19 mm swivel Pistola manuale con snodo ø 19 mm 90 l/min - 6 bar - ø 19 mm swivel - ø 19 mm	0,3 kg
-----------------	----------------------	---	--------



PAX70ADB	For Urea Per Urea	Stainless steel automatic nozzle with ø 19 mm swivel Pistola automatica in acciaio inox con snodo ø 19 mm 70 l/min - 8 bar - ø 19 mm swivel - ø 19 mm	2,6 kg
-----------------	----------------------	---	--------

Hose stoppers/Tamponi di fine corsa



- 0342
- 0127
- 0022A
- 0022B
- 0022C
- 0022C1
- 0022E
- 0022F
- 0022G

0342	for hose - per tubo	Ext. ø 11 mm	0,07 kg
0127	for hose - per tubo	Ext. ø 12 mm	0,06 kg
0022A	for hose - per tubo	Ext. ø 14 mm (1/4")	0,07 kg
0022B	for hose - per tubo	Ext. ø 17 mm (3/8")	0,07 kg
0022C	for hose - per tubo	Ext. ø 20 mm (1/2")	0,06 kg
0022C1	for hose - per tubo	Ext. ø 20 mm (1/2")	0,09 kg
0022E	for hose - per tubo	Ext. ø 23 mm (5/8")	0,09 kg
0022F	for hose - per tubo	Ext. ø 27 mm (3/4")	0,09 kg
0022G	for hose - per tubo	Ext. ø 33 mm (1")	0,09 kg

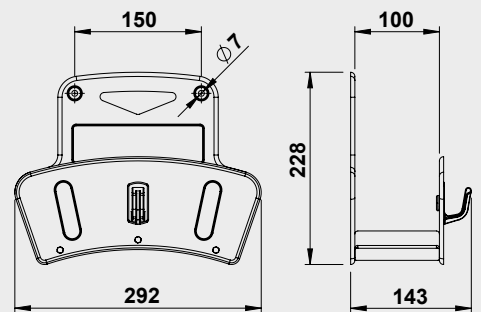
Wall hose support / Supporto murale per tubo



STM10
POWDER COATED RAL 7040



STMX10
STAINLESS STEEL AISI 304



Connection Hoses/Tubi di collegamento

Code Codice	Fluid Fluido	Pressure Pressione	Hose Tubo	Diameter Diametro	Bsp thread Filett. Gas	Type Tipo	Length (m) Lungh. (m)	Hose reel Avvolgitubo	Weight (kg) Peso (kg)
0161	Air/Aria	20 bar	Polyurethane	8 x 12	3/8"	M + L	1	MNR - MDR	0,10
0305	Air/Aria	20 bar	Polyurethane	10 x 14	3/8"	M + L	1	MDR	0,10
TC08005PU	Air/Aria	20 bar	Polyurethane	8 x 12	3/8"	M + F	0,5	MC - A - AL - V - VL	0,17
TC10005PU	Air/Aria	20 bar	Polyurethane	10 x 14	3/8"	M + F	0,5	MC - A - AL - V - VL	0,20
TC13005PU	Air/Aria	20 bar	Polyurethane	13 x 18	1/2"	F + F	0,5	MC - A - AL - V - VL	0,35
TC13005LPU	Air/Aria - Water-detergents Acqua-detergente 70°C	20 bar	Polyurethane	13 x 18	1/2"	F + F	0,5	MGRX	0,35
TC10005SG	Air/Aria - Water/Acqua	18 bar	Thermoplastic	10x15	3/8"	M + F	0,5	V	0,20
TC13005SG	Air/Aria - Water/Acqua	18 bar	Thermoplastic	13x18	1/2"	F + F	0,5	V - VL	0,35
TC08005	Air/Aria - Water/Acqua	18 bar	Rubber	8 x 14	3/8"	M + F	0,5	MC - A - AL - V - VL	0,20
TC10005	Air/Aria - Water/Acqua	18 bar	Rubber	10 x 17	3/8"	M + F	0,5	MC - A - AL - V - VL	0,22
TC13005	Air/Aria - Water/Acqua	18 bar	Rubber	13 x 20	1/2"	F + F	0,5	MC - A - AL - V - VL	0,36
TC16005	Air/Aria - Water/Acqua	18 bar	Rubber	16 x 23	1/2"	F + F	0,5	MC - A - AL - V - VL	0,38
T1301L	Air/Aria - Water/Acqua	18 bar	Rubber	13 x 20	1/2"	F + L	1	VGL	0,32
T1601L	Air/Aria - Water/Acqua	18 bar	Rubber	16 x 23	1/2"	F + L	1	VGL	0,40
T1901L	Air/Aria - Water/Acqua	18 bar	Rubber	19 x 27	1"	M + L	1	VG - VGL - VGM	0,54
T2501L	Air/Aria - Water/Acqua	18 bar	Rubber	25 x 34	1"	M + L	1	VGL - VGM	0,70
TC13005MXE	Antifreeze/Antigelo Windshield fluid/Lavavetri	18 bar	Rubber	13 x 20	1/2"	F + F	0,5	MC - V - VL	0,36
T1901GL	Diesel fuel/Gasolio	10 bar	Rubber	19 x 27	1"	M + L	1	VG - VGL - VGM(X)	0,54
T2501GL	Diesel fuel/Gasolio	10 bar	Rubber	25 x 35	1"	M + L	1	VGL - VGM(X)	0,70
T3401A	Waste oil/olio esausto	Suction	PVC/PU Spiral	19 x 27	1" - 3/4"	M + F	1	VGL	0,70
T0101A	Waste oil/olio esausto	Suction	PVC/PU Spiral	25 x 35	1"	M + F	1	VGL	0,90
TC38005	Oil/Olio	60 bar	Rubber 1SC	3/8"	3/8"	M + F	0,5	MC - A - AL - V - VL	0,35
TC12005	Oil/Olio	60 bar	Rubber 1SC	1/2"	1/2"	F + F	0,5	MC - A - AL - V - VL	0,48
TC1201	Oil/Olio	60 bar	Rubber 1SC	1/2"	1/2"	F + F	1	VGL	0,65
TCN3401	Oil/Olio	60 bar	Rubber 1SC	3/4"	1" - 3/4"	F90 + F	1	VGL	1,10
TCN0101	Oil/Olio	60 bar	Rubber 1SC	1"	1"	F90 + F	1	VGL	1,60
TC14005	Grease/Grasso	400 bar	Rubber 2SN	1/4"	1/4"	M + F	0,5	MC - A - AL - V - VL	0,30
TC38005G	Grease/Grasso	400 bar	Rubber 2SC	3/8"	3/8"	M + F	0,5	AL - VL	0,45
TC13005K	Water/Acqua 70°C	10 bar	Thermoplastic Blue	13 x 21	1/2"	F + F	0,5	MCX - AX - ALX - VX - VLX	0,36
TC16005K	Water/Acqua 70°C	10 bar	Thermoplastic Blue	16 x 24	1/2"	F + F	0,5	MCX - AX - ALX - VX - VLX	0,38
T1601KL	Water/Acqua 70°C	10 bar	Thermoplastic Blue	16 x 24	1/2"	F + L	1	VGL(X)	0,40
T1901KL	Water/Acqua 70°C	10 bar	Thermoplastic Blue	19 x 27	1"	M + L	1	VG - VGL - VGM(X)	0,54
T2501KL	Water/Acqua 70°C	10 bar	Thermoplastic Blue	25 x 35	1"	M + L	1	VGL(X) - VGM(X)	0,70
TC1301KH	Water/Acqua 70°C	10 bar	Thermoplastic Blue	13 x 20	1/2"	F + F	1	ALX - VLX - VGLX	0,46
TFN1901KH	Water/Acqua 70°C	10 bar	Thermoplastic Blue	19 x 28	1" - 3/4"	F90 + F	1	VGMX	1,10
TC1301KR	Water/Acqua 90°C	10 bar	Rubber Blue	13 x 21	1/2"	F + F	1	ALX - VLX - VGLX	0,46
T1901KR	Water/Acqua 90°C	10 bar	Rubber Blue	19 x 28	1" - 3/4"	M + F	1	VGMX	0,65
TC38005H	Water/Acqua 150°C	400 bar	Rubber 2SC	3/8"	3/8"	M + F	0,5	MC(X) - A/AL(X) - V/VL(X)	0,43
TC3801H	Water/Acqua 150°C	400 bar	Rubber 2SC	3/8"	3/8"	M + F	1	VGL(X)	0,65
T3801HX	Water/Acqua 150°C	400 bar	Rubber 2SC	3/8"	3/8"	M + F	1	AX-ALX-VX-VLX-VGLX-VGMX	0,65
TC0901VPL	Propane/Propano Methane/Metano	20 bar	Rubber ISO3821 (EN559)	9 x 17	3/8" SX	M + L	1	OVP	0,30



For manual hose reels/Per avvolgitubo manuali



0804	mod. H-HL-HM-HB	Refoldable handle - Maniglia ripiegabile	0,2 kg
0804X	mod. HX-HLX-HMX-HBX	Refoldable handle - Maniglia ripiegabile	0,2 kg



0803	mod. H-HL-HM-HB	Rotation locking pusher - Spintore bloccaggio rotazione	0,1 kg
0803X	mod. HX-HLX-HMX-HBX	Rotation locking pusher - Spintore bloccaggio rotazione	0,1 kg



KB4RH	mod. H	Side arms with 4-roller hose guide Bracci laterali completi del guida tubo a 4 rulli	1,6 kg
KB4RHL	mod. HL	Side arms with 4-roller hose guide Bracci laterali completi del guida tubo a 4 rulli	1,7 kg
KB4RHM	mod. HM	Side arms with 4-roller hose guide Bracci laterali completi del guida tubo a 4 rulli	1,8 kg
KB4RHB	mod. HB	Side arms with 4-roller hose guide Bracci laterali completi del guida tubo a 4 rulli	2,0 kg
KB4RHX	mod. HX	Side arms with 4-roller hose guide Bracci laterali completi del guida tubo a 4 rulli	1,6 kg
KB4RHLX	mod. HLX	Side arms with 4-roller hose guide Bracci laterali completi del guida tubo a 4 rulli	1,7 kg
KB4RHMx	mod. HMX	Side arms with 4-roller hose guide Bracci laterali completi del guida tubo a 4 rulli	1,8 kg
KB4RHBx	mod. HBx	Side arms with 4-roller hose guide Bracci laterali completi del guida tubo a 4 rulli	2,0 kg



0835K	mod. HL(X)-HM(X)-HB(X)	Hose tail kit 90° G 1" F for hose ø19 mm Kit portagomma 90° G 1" F per tubo ø19 mm	0,1 kg
--------------	------------------------	---	--------



For electrical cable reels/Per avvolgicavo elettrici



SROLL	mod. ROLL	Safe rewind system	0,2 kg
SRMAS	mod. ROLLmas	Safe rewind system	0,2 kg
SRMAJ	mod. ROLLmaj	Safe rewind system	0,2 kg