

KSV 10
(DN 15 - DN 25)



KSV 80
(DN 10 - DN 65)



Float valves Male thread • compact design Red bronze and Stainless steel

The KSV series is the "all-rounder" in the medium range if SV valves are too small and RSV valves are too complex. KSV valves work with a robust piston control.

The housing of the KSV 10 is made of high-quality red-bronze, KSV 80 is completely made of stainless steel. Nozzles and seals are easily replaceable on all models. By loosening a single bolt, you can remove and check the complete piston.

In addition, KSV valves are particularly cost-effective and their dimensions are compatible with a large number of other industrial float valves.

As the angle of the stem is variable and the float on the stem can be moved, the desired liquid level can be set very precisely.

We supply matching floats, optionally made of copper, HDPE or stainless steel (V4A).

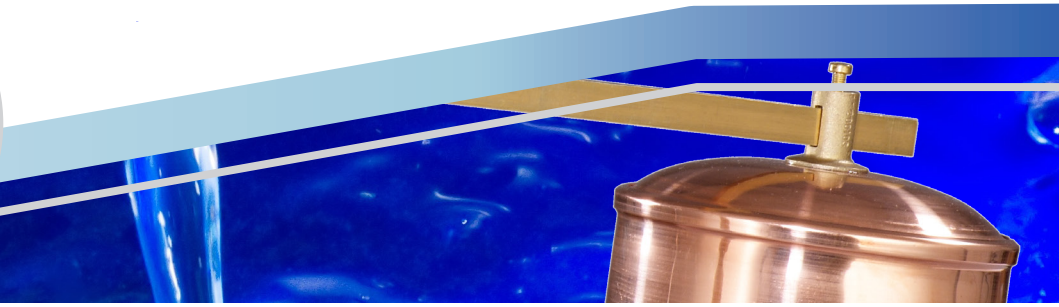
Customs tariff number.....

84818081

Media

The float valves of the KSV 10 series are suitable for the use of neutral, non-sticky liquids.

The float valve KSV 80 made of stainless steel is suitable for the use of aggressive water and liquids



Features

- male thread according ISO 228
- max. working pressure 12 bar
- replaceable valve seat
- control piston
- connection for immersion pipe
- variable angle adjustment of the float arm
- compact design
- floats optionally in HDPE, copper or stainless steel
- float arm can be shortened

Working pressure



max. 12 bar

Connections



Male thread
acc. ISO 228
from G 3/8" up to G 2 1/2"



Temperatures

Various options in the area of seals and internal parts in contact with the medium allow a maximum temperature of up to 190°C.



from 0 °C up to +190 °C

Seals and temperatures

FKM 0°C to +190°C*
EPDM 0°C to +150°C*

Materials

	body	wetted parts	float arm	control piston	seals	max. temperature
KSV 10	red bronze	brass	stainless steel 1.4571	brass	FKM EPDM	190°C* 150°C*
KSV 80	stainless steel 1.4408	stainless steel 1.4404	stainless steel 1.4571	stainless steel 1.4404	FKM	190°C*

* in combination with HDPE- and CU-floats max. 80°C



Technical data

nominal size	10	15	20	25	32	40	50	65
G	3/8"	1/2"	3/4"	1"	1 1/4"	1 1/2"	2"	2 1/2"

Pressures

max. 12 bar



max. working pressure [bar]

KSV 10	12
KSV 80	12

Connections

Male thread
from G 3/8" to G 2 1/2"



dimensions [mm]

KSV 10	G1	--	3/8"	1/2"	3/4"	--	--	--	--
	L	--	604	604	723	--	--	--	--
	L1	--	20	25	28	--	--	--	--
KSV 80	G1	3/8"	3/8"	1/2"	3/4"	1 1/2"	1 1/2"	1 1/2"	1 1/2"
	L	606	607	607	728	805	805	805	815
	L1	17	20	25	28	39	44	51	56

weight [kg]

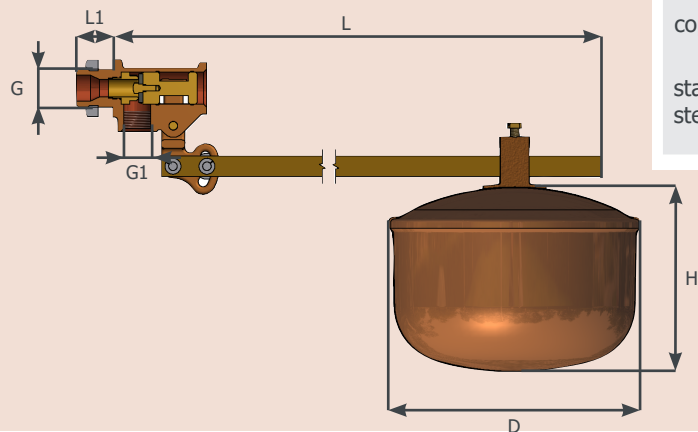
KSV 10	--	0,8	0,8	1,0	--	--	--	--
KSV 80	0,7	0,8	0,8	1,1	3,3	3,4	3,7	5,0

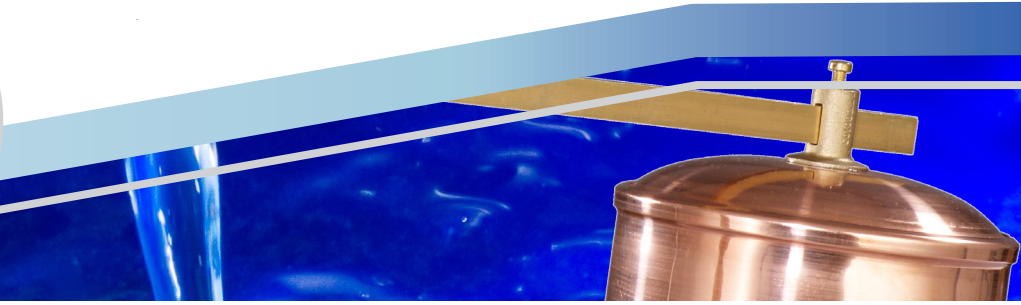
kvs-value [m³/h]

KSV 10	--	2,7	4	6,7	--	--	--	--
KSV 80	2,9	3	4,4	7,7	14	22	23	24

dimensions float [mm]

HDPE	Ø	150	150	150	180	--	--	--	--
copper	D	153	153	174	209	--	--	--	--
	H	116	116	128	172	--	--	--	--
stainless steel	D	179	179	246	200	240	240	280	305
	H	90	90	107	200	180	240	280	305





Article number

nominal size	10	15	20	25	32	40	50	65
G	3/8"	1/2"	3/4"	1"	1 1/4"	1 1/2"	2"	2 1/2"

standard version

KSV 10	--	010702	010703	010704	--	--	--	--
KSV 80	007501	007502	007503	007504	007505	007506	007507	007508

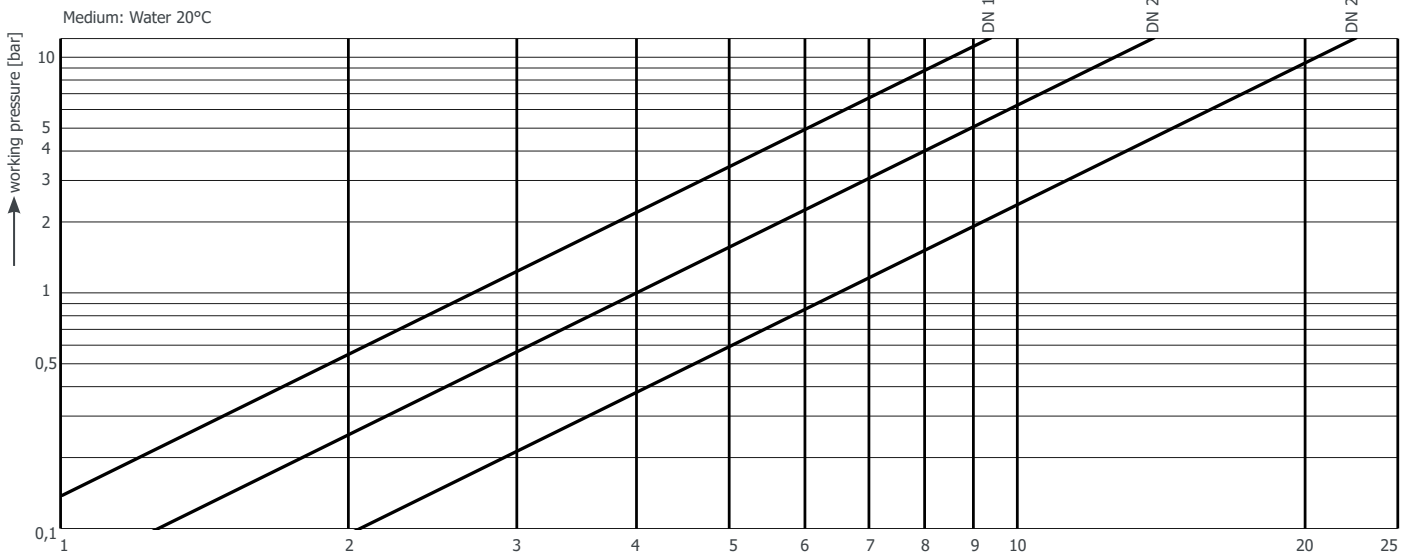
float

HDPE	000833	000833	000833	000834	--	--	--	--
copper	000802*	000802*	000803	000804	--	--	--	--
stainless steel - V4A	000842	000842	000843	000844	000845	000846	000847	000848

* only up to 9 bar, for pressures up to 12 bar choose CU-float 000803

Flow diagram

KSV 10



KSV 80

