

*absolutely made in italy, absolutely made in italy, absolutely made in italy*



# PLASTICA ALFA

POZZETTO CON VALVOLA ANTIGELO ❄️

## VALVE BOX

with 3/4" Ice valve

*absolutely made in italy*



**NEW**

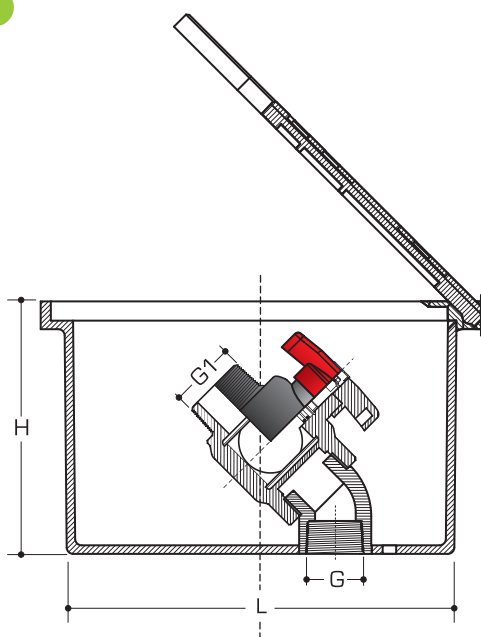
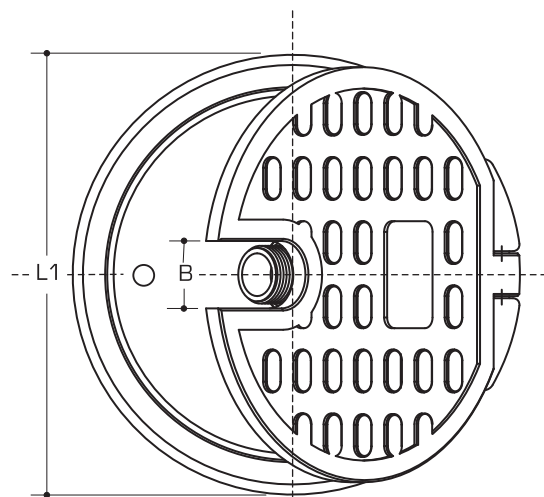
Ø 3/4"

❄️ -30 °C ÷ 60 °C ☀️



*absolutely made in italy, absolutely made in italy*

[www.plasticaalfa.it](http://www.plasticaalfa.it)



**Carico a rottura**  
Stress at break (kN)

10 kN

## Descrizioni / descriptions

- 1 Corpo (PP\*)/Body (PP)\*
- 2 Coperchio con uscita tubo (PP\*)/Cover with outlet for pipe (PP)\*
- 3 Coperchio chiuso (PP\*)/Closed cover (PP)\*
- 4 Valvola  $\varnothing$  3/4" (PP\*)/ $\varnothing$  3/4" valve (PP)\*
- 5 Dado Acciaio A2-70/Stainless steel nuts
- 6 Rondella Acciaio A2-70/Stainless steel washer
- 7 Bulloncino Acciaio A2-70/Stainless steel bolts
- 8 Guarnizioni in PTFE/PTFE O'ring
- 9 Sfera in ottone cromato/Chromium plated brass ball
- 10 Perno in ottone/Brass pin
- 11 Guarnizione Perno /NBR O' Ring for pin
- 12 Maniglia rossa (PACV\*)/Red Handle (PAGF)\*
- 13 Vite in acciaio/Steel nut
- 14 Tappo Maniglia (MDPE\*)/Handle Plug (MDPE)\*

\* Stabilizzato UV/ UV stabilized

G	G1	L	L1	H	B	Peso/Weight
3/4"	3/4"	179	204	117	31	585 gr/20,60 oz

**Pressione massima di esercizio**  
Maximum working pressure

MAX 16 Bar a 20° C

**Intervallo di temperature di esercizio**  
Range of working temperatures

-30 °C ÷ 60 °C

**Filettature**  
Threads

BSP - NPT UNI EN 10226-1,2  
ANSI ASME B1.20.1

Per l'utilizzo con fluidi diversi dall'acqua contattare il nostro staff tecnico.  
For use with fluids other than water, please contact our check and technical staff.

Non usare per applicazioni diverse da quelle indicate/Do not use for applications other than those specified.



PC301 - TO



PC301 - TC



Zona Industriale C.da Balchino - P.O. BOX 121- 95041 CALTAGIRONE (CT) Italy  
Tel. +39.0933.51973/50175/50159 - FAX +39.0933.53049 e-mail: info@plasticalfa.it

www.plasticalfa.it



Member of Green Building Council Italia