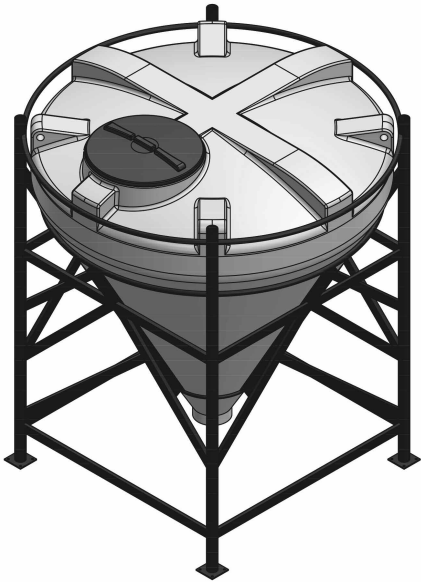


# Think Tank Think ENDURATANK

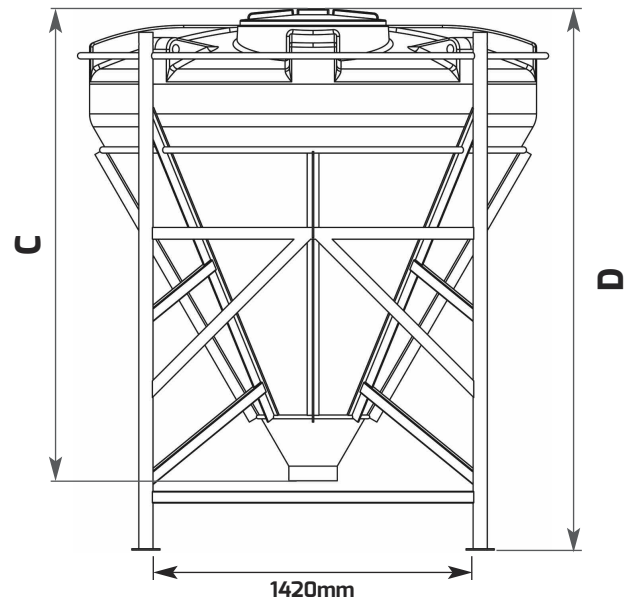
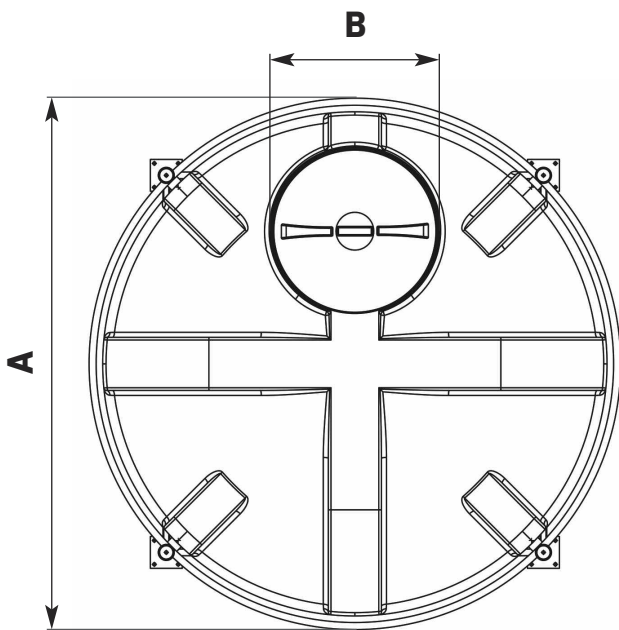
NEED  
MORE HELP?  
CALL US ON  
01778  
562810



## 2000 LITRE 60° CONE TANK TECHNICAL SPECIFICATION

CODE	17520960-F	STANDARD OUTLET	2"
CAPACITY (Litres)	2000	CAPACITY (Gallons)	439

A (mm)	1900	B (mm)	455
C (mm)	2005	D (mm)	2299



Please note: Tank sizes quoted are subject to a +/- 3% variation. Drawings not to scale.

# ENDURATANK®

A Division of ENDURAMAXX

© Enduramaxx 2018. Copyright of this drawing is reserved by Enduramaxx. The issue of this drawing is confidential disclosure of its contents, and is made conditional that it is neither disclosed to a third party, nor any item described herein and designed by Enduramaxx is produced either in whole or in part without the written consent of Enduramaxx.

Enduratank is a Registered Trading Name of Enduramaxx Limited



01778 562810 sales@enduratank.co.uk

Visit us at [www.enduratank.co.uk](http://www.enduratank.co.uk)