



FUEL MANAGEMENT SYSTEMS



DISPENSERS



KITS



PUMPS



METERS



NOZZLES

PANTHER AC

FEATURES

- COMPACT AND STURDY DESIGN
- READY TO USE
- EASY TO INSTALL
- INTEGRATED FILTER

The PIUSI PANTHER AC is a versatile self-priming rotary electric vane transfer pump available in three versions (56 - 72 - 90) particularly suitable for dispensers, fixed fuel transferring system and other industrial applications. It is equipped with a by-pass valve and an incorporated filter to stop impurities.

PERFORMANCE

UP TO

90 L/MIN

FLOW RATE

AC

CONTINUOUS DUTY

POWER



PANTHER 56 (flanges not included)



PANTHER 72 - PANTHER 90 (flanges included)

PACKAGING

| CODE | WEIGHT | | PACKAGING | | | N. BOXES / EUROPALLET | |
|-------------------|--------|------|-------------|------|---------|-----------------------|----|
| | KG | LBS | MM | INCH | PCS/BOX | ✈ | 🚛 |
| PANTHER 56 | | | | | | | |
| FO0730000 | 7,4 | 16,3 | 345X175X255 | - | 1 | 60 | 84 |
| 000731000 | 7,4 | 16,3 | 345X175X255 | - | 1 | 60 | 84 |
| 000733000 | 7,4 | 16,3 | 345X175X255 | - | 1 | 60 | 84 |
| PANTHER 72 | | | | | | | |
| 000732000 | 7,9 | 17,4 | 345X175X255 | - | 1 | 60 | 84 |
| 000735000 | 7,9 | 17,4 | 345X175X255 | - | 1 | 60 | 84 |
| PANTHER 90 | | | | | | | |
| FO0733020 | 9,007 | 19,9 | 345X175X255 | - | 1 | 60 | 84 |



FILTRATION



TANK MONITORING



HOSE REEL



ACCESSORIES



MERCHANDISE



AIR



ANTIFREEZE



AdBlue®



BIODIESEL



DIESEL



FOOD



GASOLINE



GREASE



KEROSENE



OIL

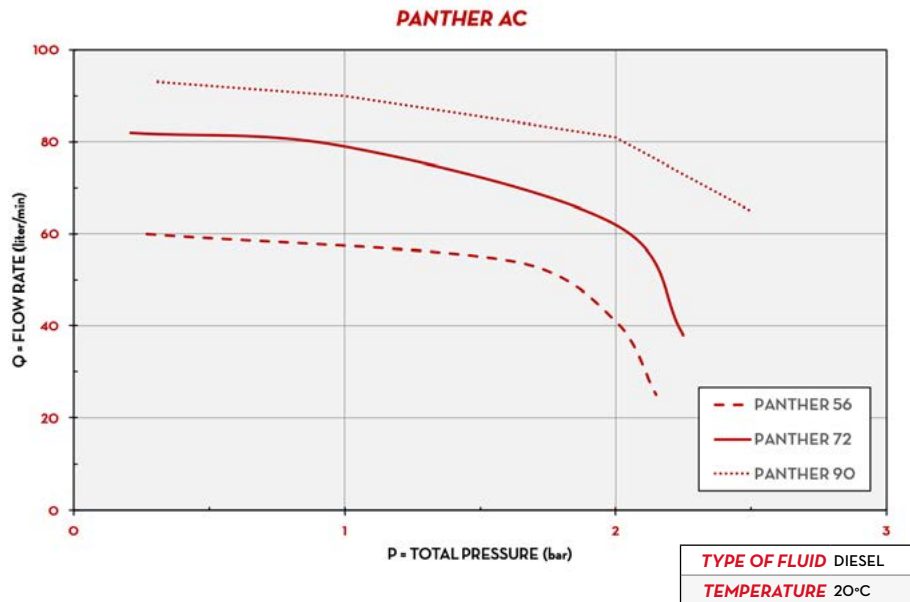


WATER



WINDSCREEN

CHART



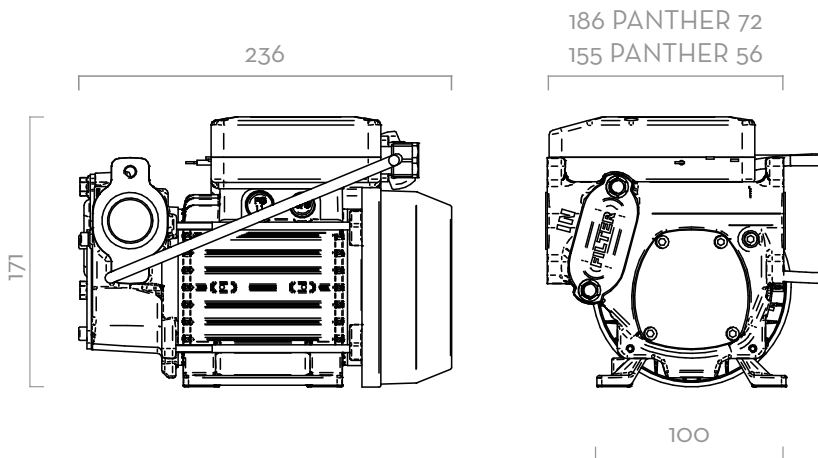
IN THE BOX

- PANTHER AC PUMP
- INSTRUCTION MANUAL

DETAILS



DIMENSIONS



Dimensions expressed in millimeters

MATERIALS

- BODY: CAST IRON
- ROTOR: SINTERED STEEL
- VANES: TECHNOPYLIMER
- SHAFT: STEEL



PUMP

- MAX 6M (20FT),
- SUCTION HOSE Ø 1" MIN,
- MAX SUCTION HEIGHT:
 - 2M (7FT) W/O NON RETURN VALVE
 - 4M (14FT) W NON RETURN VALVE



TANK

TECHNICAL DATA

| CODE | DESCRIPTION | FLUIDS TYPE | FLOW RATE | | VOLTAGE | | | | RPM | INLET OUTLET BSP | FLANGE CONNECTION | BYPASS VALVE | INLET FILTER | DUTY CYCLE MINUTE |
|-------------------|-------------------|-------------|-----------|------|------------------------|-----------------------|------------|-----------|------|------------------|-------------------|--------------|--------------|-------------------|
| | | | L/MIN | GPM | SINGLEPHASE MOTOR V/HZ | THREEPHASE MOTOR V/HZ | POWER WATT | AMP. MAX. | | | | | | |
| PANTHER 56 | | | | | | | | | | | | | | |
| FO0730000 | PANTHER 56 230/50 | D | 56 | 15 | 230/50 | - | 350 | 3 | 2900 | 1" | - | YES | YES | |
| 000731000 | PANTHER 56 230/60 | D | 70 | 18 | 230/60 | - | 500 | 3,9 | 3400 | 1" | - | YES | YES | |
| 000733000 | PANTHER 56 400/50 | D | 56 | 15 | - | 400/50 | 500 | 1,3 | 2900 | 1" | - | YES | YES | |
| PANTHER 72 | | | | | | | | | | | | | | |
| 000732000 | PANTHER 72 230/50 | D | 72 | 19 | 230/50 | - | 500 | 4,2 | 2900 | 1" | YES | YES | YES | |
| 000735000 | PANTHER 72 400/50 | D | 72 | 19 | - | 400/50 | 500 | 1,6 | 2900 | 1" | YES | YES | YES | |
| PANTHER 90 | | | | | | | | | | | | | | |
| FO073302A | PANTHER 90 230/50 | D | 90 | 23,8 | 230/50 | - | 700 | 4,9 | 2900 | 1" | YES | YES | YES | 30 |

UPON REQUEST IT IS AVAILABLE WITH DIFFERENT VOLTAGES AND 60 HZ FREQUENCY.
() EXCEPT PANTHER 90

PANTHER AC